

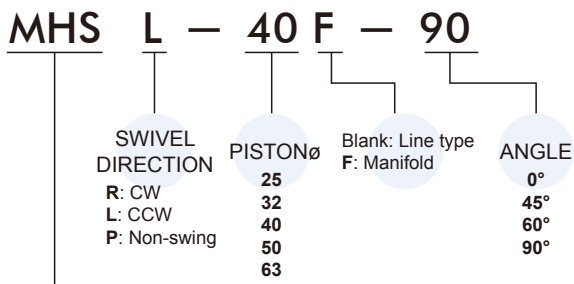
### Features

- Double clamp retracting, the piston rod rotates, causing the clamping arm to swing in either a clockwise or counterclockwise direction. Clamping then takes place as the rod continues to retract in a straight line, pulling the arm against the workpieces.
- Pull cylinder type, Available models offer angles of rotation of 0°, 45°, 60° or 90°.
- The cylinder body is made of aluminum alloy and the surface is hard membrane treated.
- Mounting methods: Square base type, threaded type, flange type.

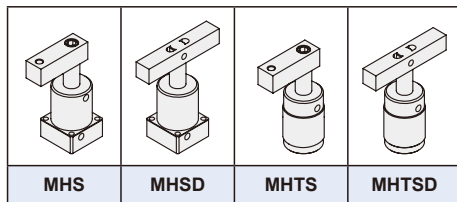
### Note

- When it is necessary to change the length of the clamping arm, it should be noted that do not exceed 1.2 times of the original G value in order to avoid the serious slanting of the piston rod.
- Suggested to add a flow control valve to the hydraulic inlet to control the motion of the swing angle in order to prevent the inertial impact.
- A workpiece should not be clamped within a swing stroke, and it should be clamped within the vertical downward clamping stroke.
- Whenever placing and taking off a workpiece, it is necessary to use an air gun to clean the piston and the seal for removing the iron slag or foreigner objects attached thereon in order to prevent the foreigner objects from entering the seal to cause oil leakage.

### Order example



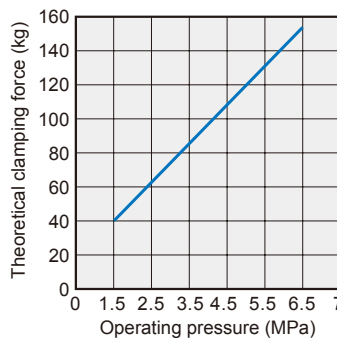
### MODEL



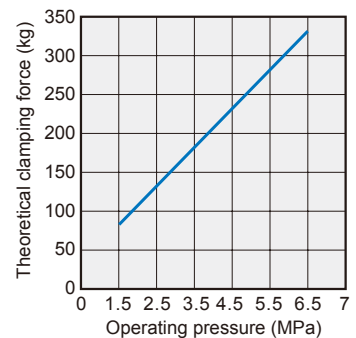
\* MHTS and MHTSD produced by order.

Schematic view showing a theoretical clamping force under different hydraulic pressure.

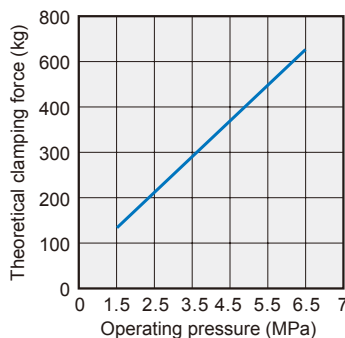
#### MHS-25



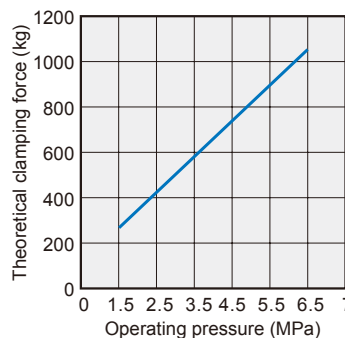
#### MHS-32



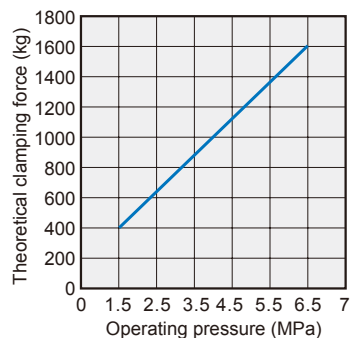
#### MHS-40



#### MHS-50

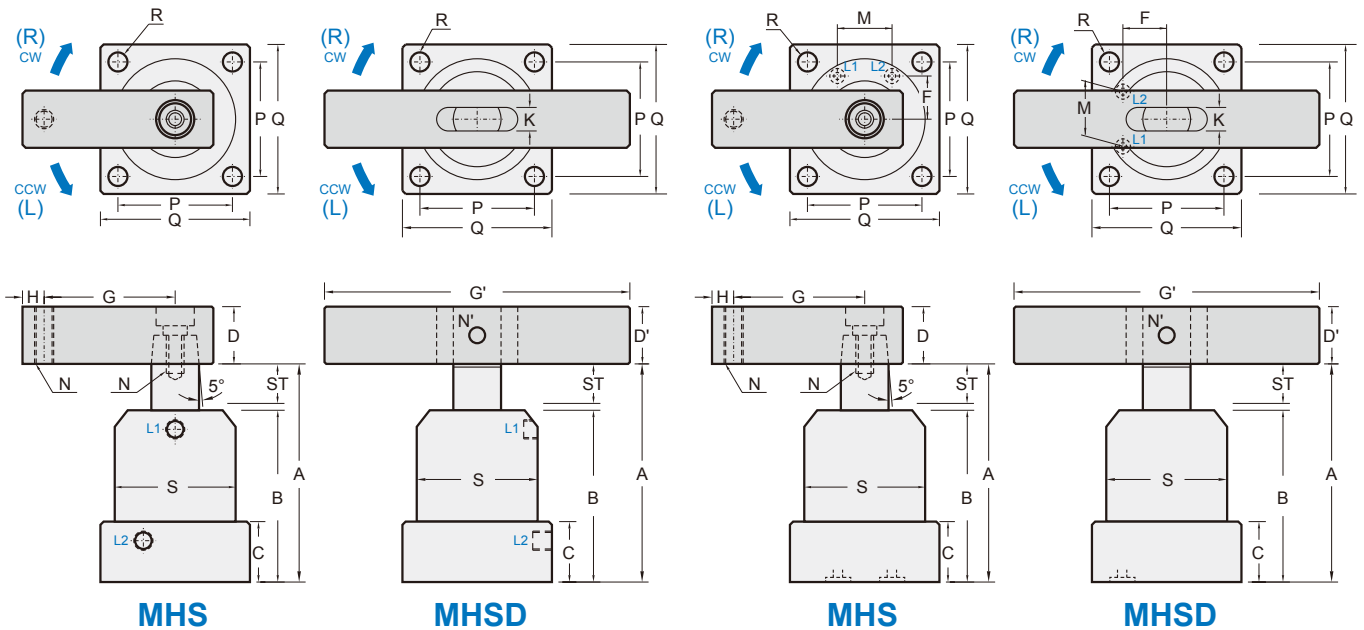


#### MHS-63



### MHS\*

### MHS\*-F



MHS

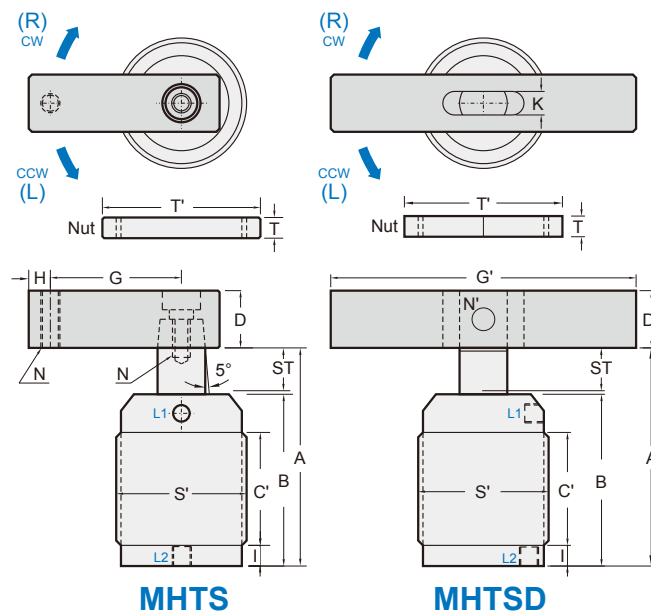
MHSD

MHS

MHSD

Flange type	MHS-25 MHSD-25	MHS-32 MHSD-32	MHS-40 MHSD-40	MHS-50 MHSD-50	MHS-63 MHSD-63
Operating pressure range	2~4.5 MPa				
Proof pressure	7 MPa				
Cylinder operating	Double acting				
Swivel angle	90°(60°,45°,0°)±2°				
Swivel stroke (mm)	12	14	14	14	14
Clamping stroke (mm)	14	15	15	15	15
Piston $\varnothing$ (mm)	25	32	40	50	63
Piston rod $\varnothing$ (mm)	18	20	20	20	25
Theoretical force (2.5 MPa)	59kg	125kg	200kg	400kg	600kg
A (unclamp) (mm)	100	111	113.6	114.5	118
B (mm)	70	76	80	80	85
C (mm)	23	25	27	27	32
D (mm)	□25.4	□25.4	□25.4	□25.4	□32
D' (mm)	□19	□22	□22	□22	□25.4
G (mm)	50	55	55	55	75
G' (mm)	100	120	120	120	140
H (mm)	10	10	10	10	11
K (mm)	9	10	10	10	12
L1 (clamp) L2 (unclamp)	Rc1/8	Rc1/8	Rc1/8	Rc1/8	Rc1/8
O-ring manifold	S4	S4	S4	S4	S4
N (mm)	M10×1.5	M10×1.5	M10×1.5	M10×1.5	M12×1.75
N' (mm)	∅8	∅8	∅8	∅8	∅10
P (mm)	40	44	48	57	70
Q (mm)	50	55	62	74	88
R (mm)	∅6.5	∅6.5	∅8.5	∅8.5	∅10.5
S (mm)	∅45	∅50	∅54	∅65	∅80
M (mm)	18	24	26	30	40
F (mm)	15	17	20	25	30
Weight (kg)	0.8	1.0	1.1	1.4	2.3

### MHTS\*



**MHTS**

**MHTSD**

Threaded type (produced by order)	MHTS-25 MHTSD-25	MHTS-32 MHTSD-32	MHTS-40 MHTSD-40	MHTS-50 MHTSD-50
Operating pressure range	2~4.5 MPa			
Proof pressure	7 MPa			
Cylinder operating	Double acting			
Swivel angle	$90^\circ(60^\circ, 45^\circ, 0^\circ)\pm 2^\circ$			
Swivel stroke (mm)	12	14	14	14
Clamping stroke (mm)	14	15	15	15
Piston $\phi$ (mm)	25	32	40	50
Piston rod $\phi$ (mm)	18	20	20	20
Theoretical force (2.5 MPa)	59kg	125kg	200kg	400kg
A (unclamp) (mm)	100	111	113.6	114.5
B (mm)	70	76	80	80
C' (mm)	35	45	45	45
D (mm)	$\square 25.4$	$\square 25.4$	$\square 25.4$	$\square 25.4$
D' (mm)	$\square 19$	$\square 22$	$\square 22$	$\square 22$
G (mm)	50	55	55	55
G' (mm)	100	120	120	120
H (mm)	10	10	10	10
I (mm)	9	9	9	9
K (mm)	9	10	10	10
L1 (clamp) L2 (unclamp)	Rc1/8	Rc1/8	Rc1/8	Rc1/8
N (mm)	M10 $\times$ 1.5	M10 $\times$ 1.5	M10 $\times$ 1.5	M10 $\times$ 1.5
N' (mm)	$\phi 8$	$\phi 8$	$\phi 8$	$\phi 8$
S' (mm)	M45 $\times$ 1.5	M50 $\times$ 1.5	M55 $\times$ 1.5	M65 $\times$ 1.5
T ( $\times 2$ pcs nut) (mm)	10	11	11	12
T' (mm)	$\phi 65$	$\phi 70$	$\phi 75$	$\phi 85$
Weight (kg)	0.8	1.1	1.25	1.7